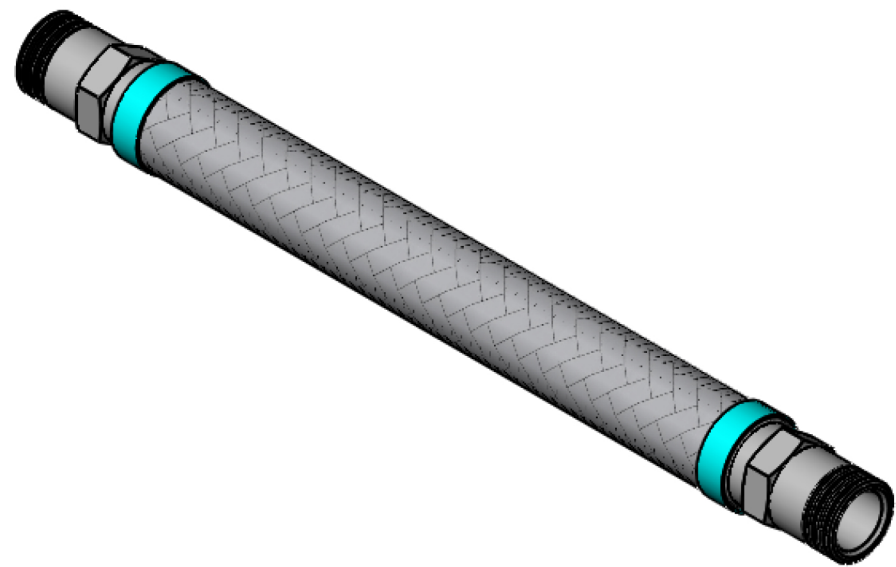
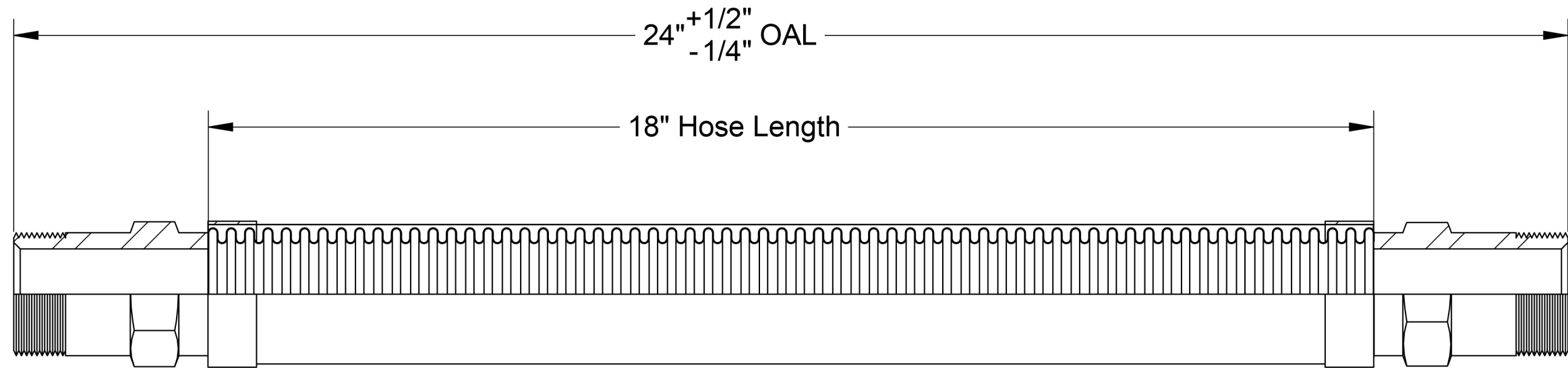



| REVISIONS |             |      |          |
|-----------|-------------|------|----------|
| REV.      | DESCRIPTION | DATE | APPROVED |



| ITEM # | QTY. | PART NUMBER  | DESCRIPTION                                      | MATERIAL        | WEIGHT |
|--------|------|--------------|--|-----------------|--------|
| 1      | 1    | HOSE         | 300 Series Stainless HYDROFORMED Corrugated Hose | Stainless Steel | 0.77   |
| 2      | 1    | BRAID        | 300 Series Stainless Steel                       | Stainless Steel | 0.07   |
| 3      | 2    | BRAID COLLAR | 0.05" Thick                                      | Stainless Steel | 0.07   |
| 4      | 2    | 1.5" MALE    | 1.5" Male, 1-1/2"x11-1/2" Thread, 1.94" Hex      | Carbon Steel    | 1.13   |

|   |   |  |   |
|---|---|--|---|
|  | <b>HOSE MASTER Inc.</b><br>1233 East 222nd Street • Cleveland, Ohio 44117<br>(800) 221-2319 • Fax: (216) 481-7557 • www.hosemaster.com<br>Locations: <b>Cleveland • Houston</b> |  | Registered to:<br>ISO 9001 : 2000   |
|   |   |  |  |

|   |  |                                      |
|---|--|--------------------------------------|
| Projection:   | Customer: Hose Master Inc.                               | Prepared By: kannk                   |
|  | Reference: Fire-Shield - 1.5" Male x 1.5" Male x 24" OAL | CALC. WEIGHT: 3 lbs. Date: 9/24/2009 |

Description: **1.5" ID x 24" OAL 300 Series Stainless HYDROFORMED Corrugated Hose covered by 300 Series Stainless Braid. UL Approved 1.5" Male Connectors**

|            |                    |       |   |              |
|------------|--------------------|-------|---|--------------|
| Drawing #: | <b>FSMM0150x24</b> | Rev.: | - | SHEET 1 OF 1 |
|------------|--------------------|-------|---|--------------|

